



### MTS-500 Semi-automated Filler and Sealer

# Improve Packaging Efficiency in Higher-Volume Operations

Designed to streamline packaging for Correctional and Long Term Care Pharmacies, the MTS-500™ Semi-automated Filler and Sealer is capable of producing approximately 850 completed single dose medication blister cards per hour.<sup>1</sup> That's up to 34 times faster than packaging by hand, creating greater efficiency for your pharmacy. All settings are preprogrammed, making it simple to operate.

## Features

- Motorized medication filling system with adjustable speed and easy-to-change brushes
- Tool-less changeover of the filling system
- Easy-to-read digital temperature controller
- Stainless steel and anodized aluminum construction allows for easy cleaning

## Benefits

- Improves labor efficiency through high-speed packaging
- Simplifies packaging of high-volume medications in single dose cards
- Automates pre-pack labeling and barcoding
- Increases flexibility with plate-based filling system



1. Max per hour is one technician filling the same drug without medication changes with optimal conditions.

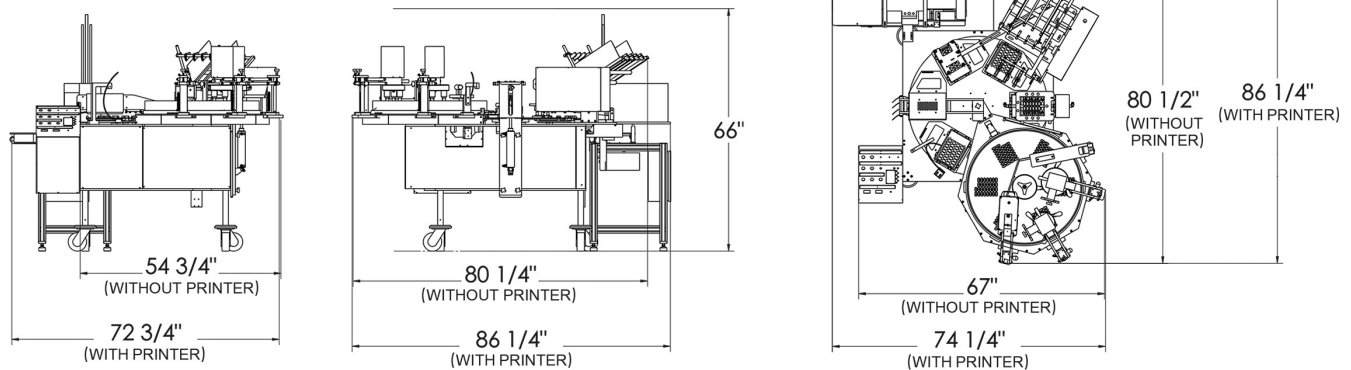
## Specifications

- Height: 66 inches
- Width: 74-1/4 inches with printer
- Depth: 86-1/4 inches with printer
- Weight: 1,200 pounds
- Electrical: 240 VAC, 1Phase, 20 amps
- Compressed Air: 100 PSI, 15 SCFM
- Adjustable Temperature Range: max. 400°F



MTS-500 front view

### Side and Aerial Diagram View



Note: Allow additional 2-feet walkaround each side.

Visit [Omniceil.com](http://Omniceil.com) to learn more today.

